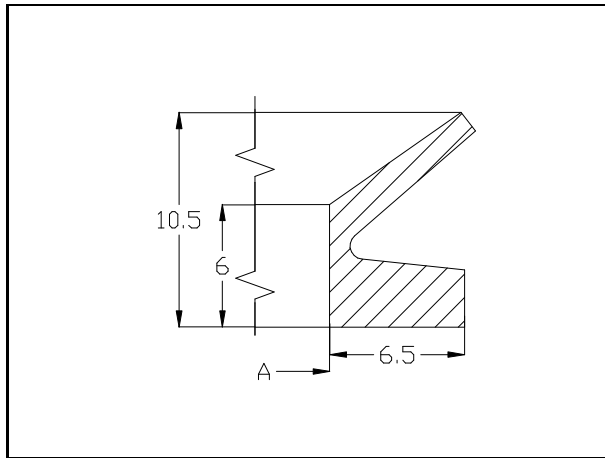


## V - RINGS TYPE 'L'

Technical description at page 18



<i>code</i>	<i>shaft</i>	<i>A</i>
VL120	115÷125	108
VL120	115÷125	108
VL130	125÷135	117
VL130	125÷135	117
VL140	135÷145	126
VL140	135÷145	126
VL150	145÷155	135
VL150	145÷155	135
VL160	155÷165	144
VL160	155÷165	144
VL170	165÷175	153
VL170	165÷175	153
VL180	175÷185	162
VL180	175÷185	162
VL190	185÷195	171
VL190	185÷195	171
VL200	195÷210	182
VL200	195÷210	182
VL220	210÷233	198
VL220	210÷233	198
VL250	233÷260	225
VL250	233÷260	225
VL275	260÷285	247
VL275	260÷285	247
VL300	285÷310	270
VL300	285÷310	270
VL325	310÷335	292
VL325	310÷335	292
VL350	335÷365	315
VL350	335÷365	315

## V - RINGS TYPE 'L'

Technical description at page 18

<i>code</i>	<i>shaft</i>	<i>A</i>
VL375	365÷385	337
VL375	365÷385	337
VL400	385÷410	360
VL400	385÷410	360
VL425	410÷440	382
VL425	410÷440	382
VL425	410÷440	382
VL425	410÷440	382
VL450	440÷475	405
VL450	440÷475	405
VL500	475÷510	450
VL500	475÷510	450
VL550	540÷575	495
VL550	540÷575	495
VL600	575÷625	540
VL600	575÷625	540
VL650	625÷675	600
VL650	625÷675	600
VL700	675÷710	630
VL700	675÷710	630
VL750	740÷775	705
VL750	740÷775	705

P.S. please send us enquiries for sizes we have not listed in the catalogue.